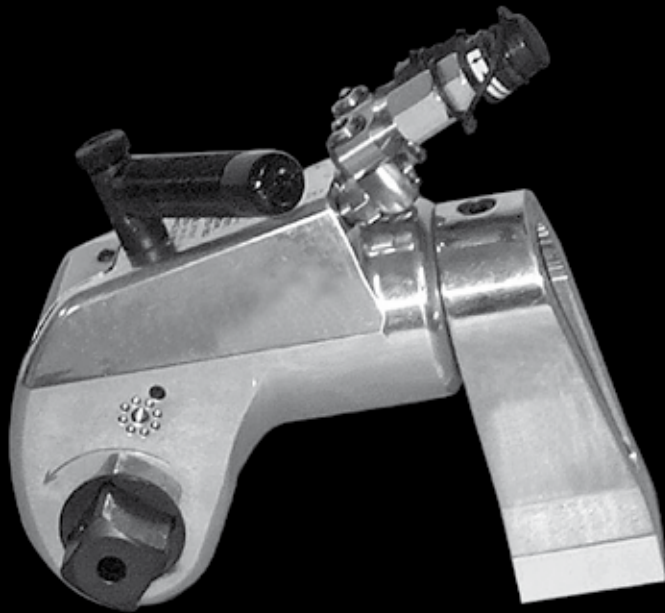


HYX Hydraulic Wrench

HYM Hydraulic Wrench

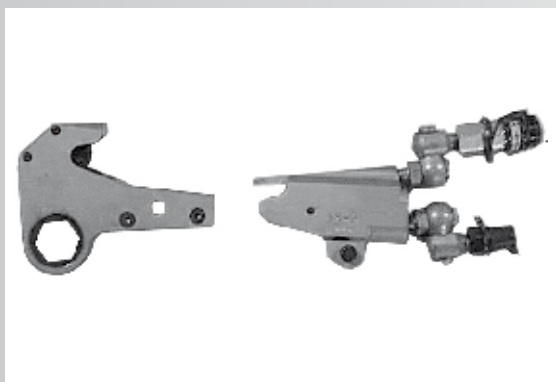


- Compact
- Light weight
- Large torques
- Flexible and powerful

The Hydro Master[®] Advantages

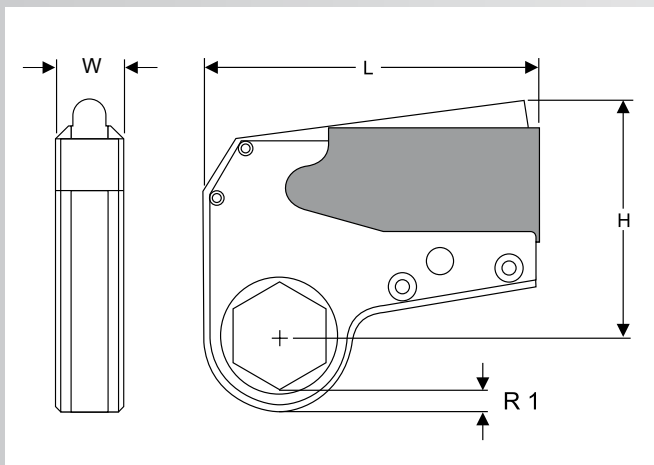
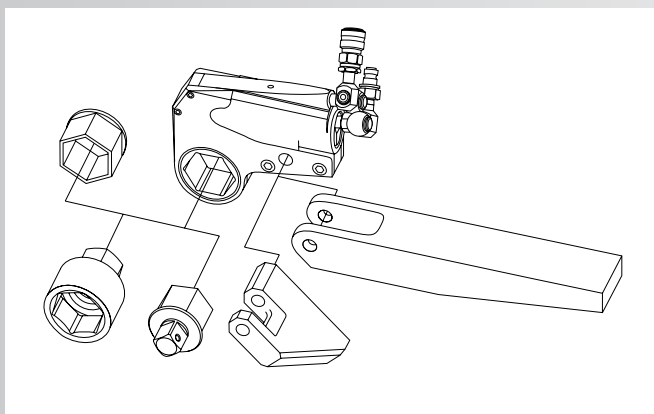
HYX Hydraulic Wrench

The application-oriented Hydro Master® construction program:



The Hydro Master® advantages:

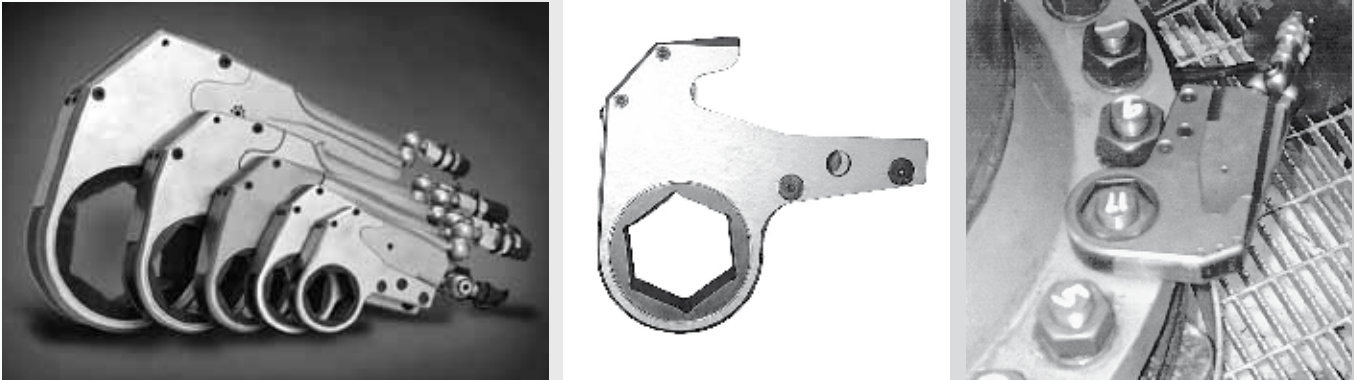
- compact
- light weight
- large torques
- flexible and powerful



Technical Information

- safe tightening and loosening up to 48.000 Nm **despite compact size**
- well thought-out construction and latest material technology guarantee extraordinary durability
- A 2-hydraulic hose-system assures long-term consistent torque accuracy
- quick interchangeability of hexagon links and HYX-drive cylinders
- uni-swivel hose connector
- versatile accessories allow operation within large clearance - high tuning offers a wide range of application
- our accessory catalogue offers you a large scale of hexagon link adapters (STA) as well as direct insertable hexagon link at tachments (STABI) and all power nuts (STACO) with optimized power input (special sizes upon request)

Technical Details Hydro Master® - HYX Hexagon Link:



The **Hydro Master® HYX Hydraulic Wrench** is used whenever there is a high demand for flexibility and power.

The **HYX-drive cylinder** and the **hexagon link** are easily interchangeable. The **uni-swivel hose connector** assures a safe and comfortable handling.

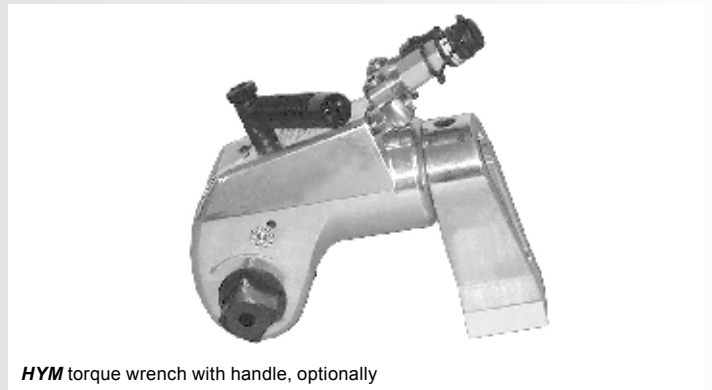
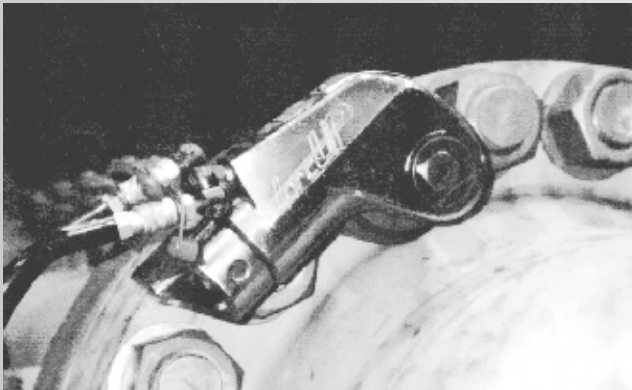
Standard program: Hydro Master® - hexagon link for HYX serie

Technical Details HYX Hydraulic Wrench

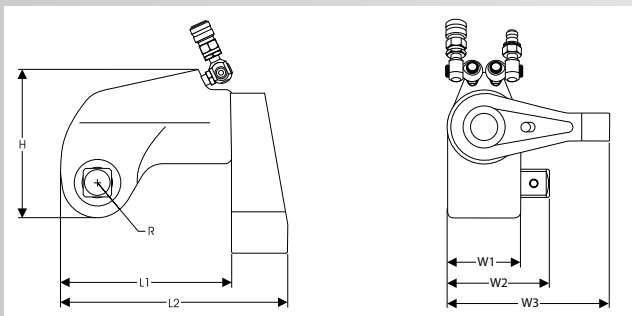
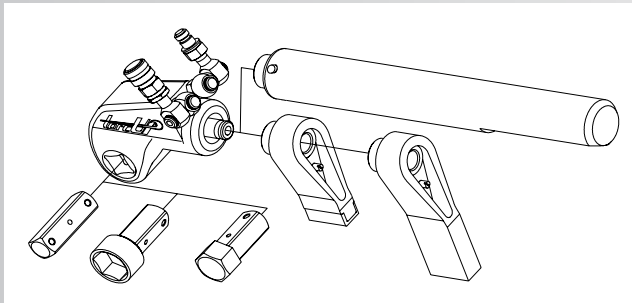
| Typ | | HYX-1 | HYX-2 | HYX-4 | HYX-8 | HYX-16 | HYX-32 |
|----------------------------------|----|---------|---------|---------|----------|----------|----------|
| Hexagon Link SW from - to | mm | 13 - 41 | 19 - 65 | 27 - 80 | 49 - 105 | 55 - 135 | 80 - 200 |
| Min. Torque | Nm | 61 | 260 | 530 | 1.120 | 2.110 | 4.350 |
| Max. Torque | Nm | 759 | 2.600 | 5.330 | 11.650 | 22.410 | 48.125 |
| Drive element weight * | kg | 0,45 | 1,50 | 2,70 | 5,00 | 7,30 | 11,50 |
| Width | mm | 19,8 | 31,8 | 41,4 | 52,1 | 63,5 | 82,3 |
| Length | mm | 111,0 | 163,8 | 199,9 | 259,1 | 328,4 | 401,3 |
| Height | mm | 82,6 | 101,6 | 142,2 | 177,8 | 192,5 | 241,3 |
| Radius 1 | mm | 5,8 | 9,1 | 11,7 | 13,7 | 16,5 | 23,6 |

* Without support and square drive - Accuracy of $\pm 3\%$ at max. pressure of 700 bar - Bolt ranges are just standard values

HYM Hydraulic Wrench



HYM torque wrench with handle, optionally



Hydro-Master®- HYM Hydraulic Wrenches are conceptionally and constructively advanced hydraulic wrenches that provide torques up to approx. 78.000 Nm. The highly developed technology is proven to be effective and meets the high demands for easy handling. For a safe and solid job.

Technical Information

- exact torque
- precise torque setting
- high operational safety
- full body
- long-term consistent torque accuracy through 2-hydraulic hose system
- versatile accessories guarantee a wide range of application
- easy plug in, or modification of the square drive from loosening to tightening of screw connections
- ergonomic construction of thread
- optionally you will find directly usable hexagon link attachments (STABI) and the complete range of power nuts (STACO) in our accessory program

Hydro-Master® HYM Hydraulic Wrench

| Type / Ref.-No. | | HYM-2 | HYM-3 | HYM-7 | HYM-11 | HYM-20 | HYM-27 | HYM-60 |
|---------------------|----|-------|-------|--------|--------|--------|--------|--------|
| Square Drive | | 3/4" | 1" | 1 1/2" | 1 1/2" | 2 1/2" | 2 1/2" | 2 1/2" |
| Min. Torque | Nm | 173 | 450 | 1000 | 1500 | 2630 | 3700 | 7900 |
| Max. Torque | Nm | 1730 | 4530 | 10060 | 14980 | 27960 | 37000 | 78900 |
| Weight * | kg | 1,7 | 4 | 8 | 13 | 27,6 | 31 | 58 |
| Height | H | 107 | 135 | 177,5 | 198 | 234 | 259 | 292 |
| Length | L1 | 119 | 155 | 203 | 234 | 240 | 312 | 390 |
| Length | L2 | 158 | 206 | 273 | 310 | 409 | 414 | 518 |
| Radius | R | 25 | 33 | 43 | 49,5 | 59 | 61,5 | 74 |
| Width | W1 | 51 | 67 | 91,5 | 100 | 123 | 133,5 | 167 |
| Width | W2 | 71 | 93,5 | 128,5 | 138 | 182 | 196 | 226 |
| Width | W3 | 112 | 147,5 | 202,5 | 221,5 | 276 | 295,5 | 363 |

* With support and square drive - Accuracy of +/- 3%

Right to change specifications without prior notice